



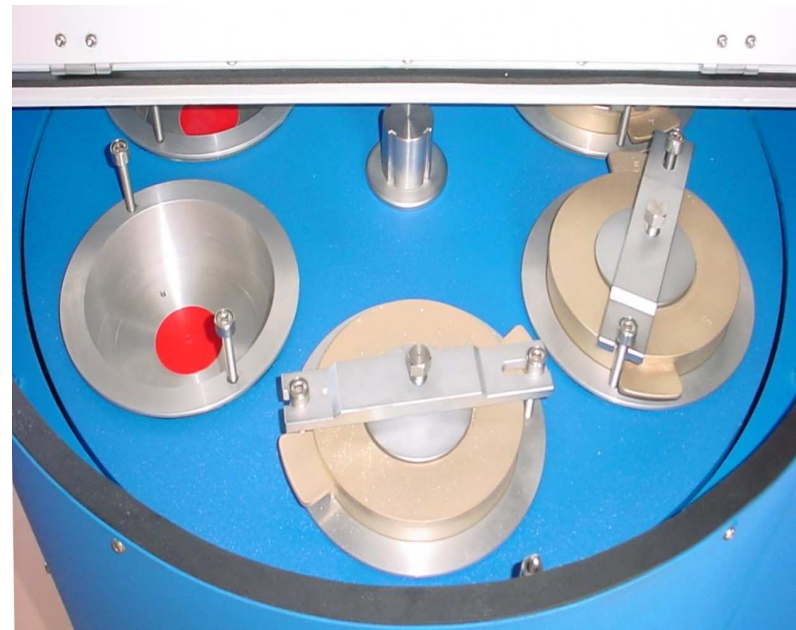
Principle

- JK-21
 - Laboratory beater
 - Pilot beating
 - QC
 - R&D
 - 6 sets of beating units
 - Beating box
 - Grooved roll + lid
 - Hard bronze
 - repeatability



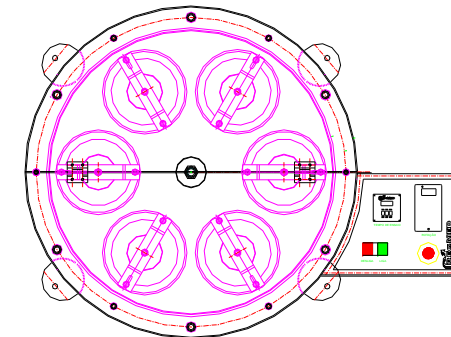
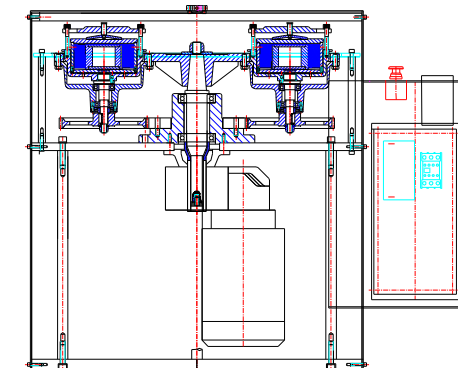
Principle

- JK-21
 - 6 sets of beating units (7)
 - 16 grams of pulp/set
 - Consistency 6 %
 - R&D-Flexible



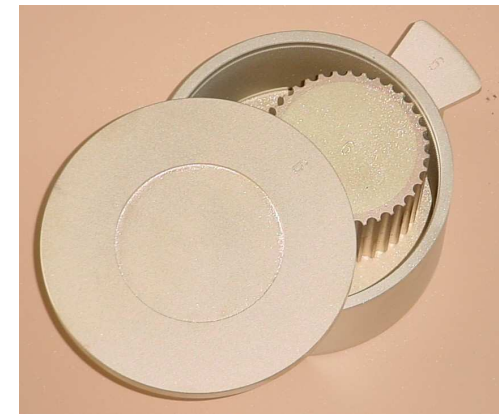
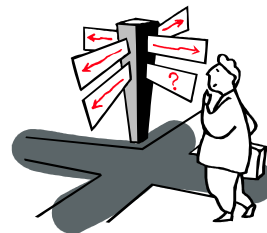
Standards

- JK-21
 - NBR 14346
 - DIN 54360
 - ISO 5264/3
withdrawn by TC/6
 - Swedish group??
 - Zellcheming
105/5/60



Technical specifications

- JK-21
 - Simultaneously 2, 3, 4 and 6 sets (balance)
 - Symetrically
 - 6 beating units - 16 grams, consistency 6%
 - 1.1 kW gear motor
 - Digital rotation control



Technical specifications

- JK-21
 - Programmable timer up to 999 min + aut. shut of
 - High torque start
 - High revolution enables fully loaded start

